

Eaton SN525-1WOZN

Catalog Number: SN525-1WOZN

Eaton B-Line series springless stud nut, 0.85" H x 1" L x 1.31" W, Steel, Electro-plated, 1/2"-13 bolt, Stud nut without spring

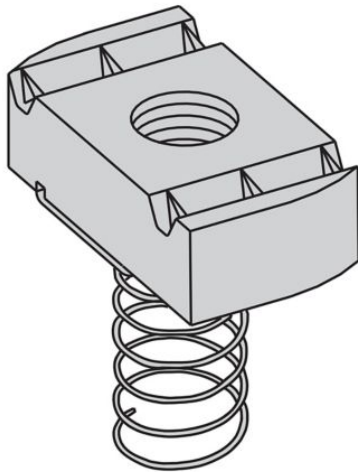


Photo is representative

General specifications

Product Name	Catalog Number
Eaton B-Line series springless stud nut	SN525-1WOZN
UPC	Product Length/Depth
781011414542	1 in
Product Height	Product Width
0.85 in	1.31 in
Product Weight	Certifications
0.148 lb	Not Applicable

Model

Bolt/thread/rod size

1/2"-13

Type

Stud nut without spring

Material/finish

Finish

Electro-plated

Material

Steel

Resources

Catalogs

[B-Line Safety Gratings Full Catalog](#)

[Channel Nuts and Hardware Catalog Section](#)

[B-Line Series Strut Systems Catalog](#)

Specifications and datasheets

[Eaton Specification Sheet - SN525-1WOZN](#)



Eaton Corporation plc
Eaton House
30 Pembroke Road
Dublin 4, Ireland
Eaton.com

© 2024 Eaton. All Rights Reserved.

Eaton is a registered trademark.

All other trademarks are property of their respective owners.



[Eaton.com/socialmedia](https://www.eaton.com/socialmedia)